
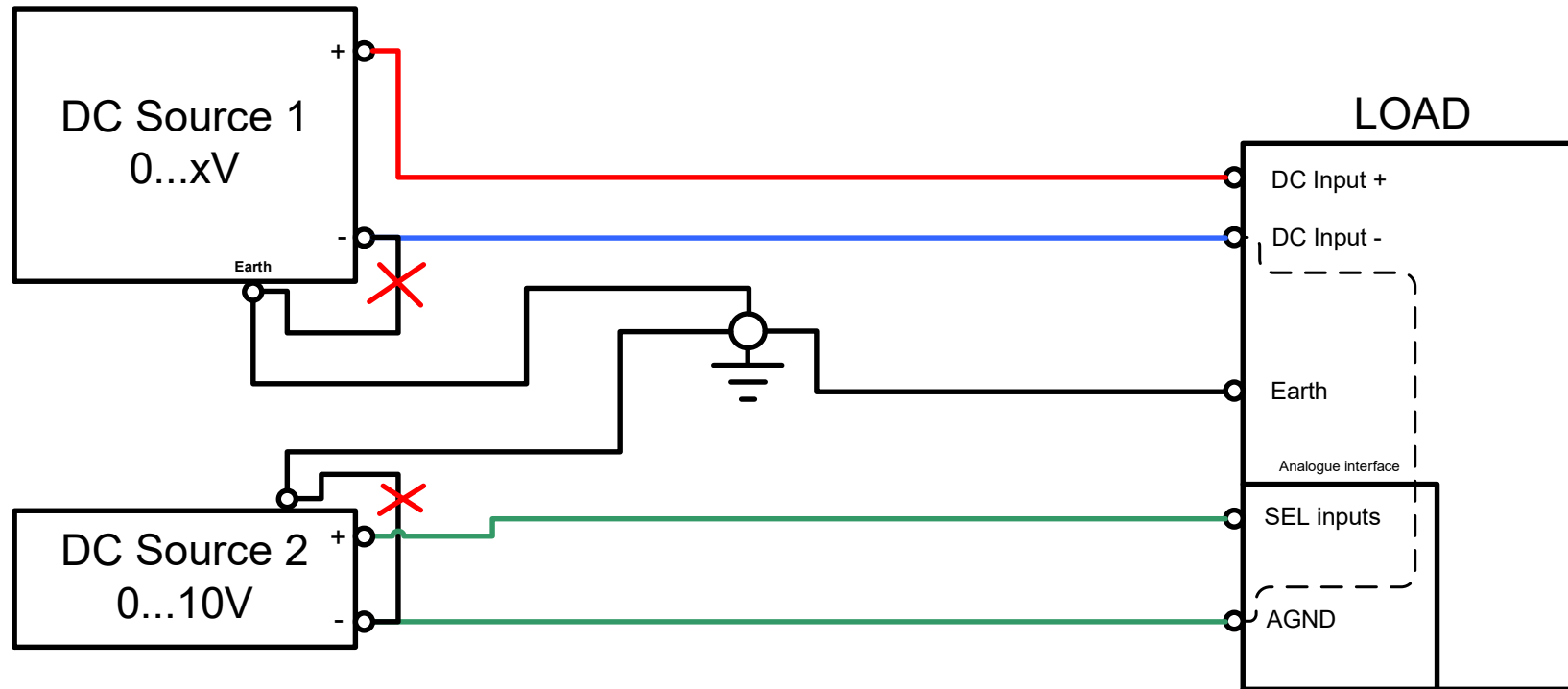


Correct wiring!

Additionally, **one** of the DC sources outputs or the load DC input may be grounded.

Minus DC input and AGND of the analogue interface are internally connected!

 EA - Elektro Automatik	Projekt	AN004: Wiring an analogue interface	
	Diagramm	Correct	
	Thema		
	Projektleiter		
	Bearbeiter	Staberock	
	Art. Nr.		
CAD Sys. MS-Visio			Seite 1 von 3

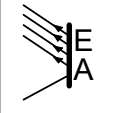


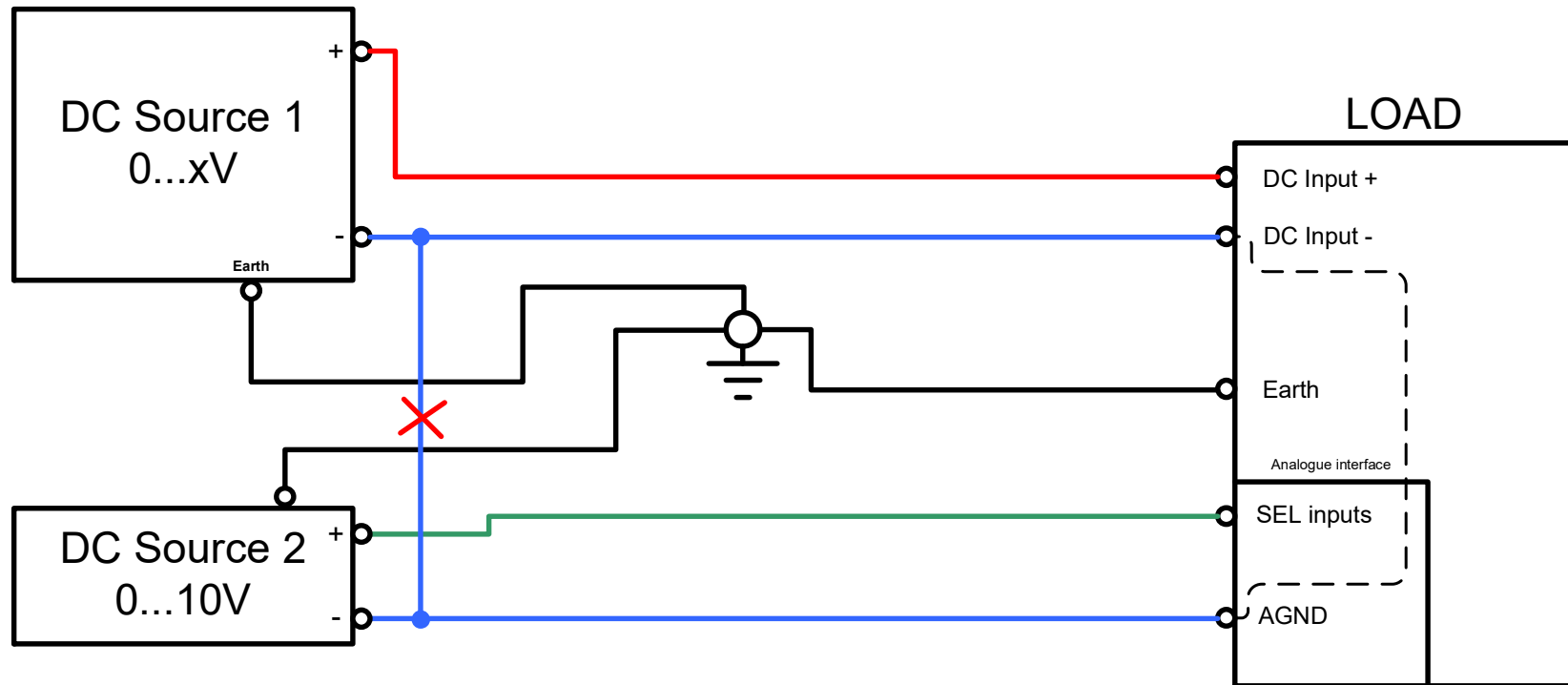
Wrong wiring!

The minus DC outputs of both source must not be grounded, because AGND now has the same potential as DC- and high current may flow.

If the connection between DC source 1 minus output and DC input - of the load is broken or removed, current will flow over AGND and damage the analogue interface

Minus DC input and AGND of the analogue interface are internally connected!

 EA - Elektro Automatik	Projekt	AN004: Wiring an analogue interface	
	Diagramm	Wrong 1	
	Thema		
	Projektleiter		
	Bearbeiter	Staberock	
Art. Nr.			
CAD Sys. MS-Visio			Seite 2 von 3




Wrong wiring!

The minus DC outputs of both source must not be connected, because AGND now has the same potential as DC- and high current may flow.

If the connection between DC source 1 minus output and DC input - of the load is broken or removed, current will flow over AGND and damage the analogue interface

Minus DC input and AGND of the analogue interface are internally connected!

 EA - Elektro Automatik	Projekt	AN004: Wiring an analogue interface	
	Diagramm	Wrong 2	
	Thema		
	Projektleiter		
	Bearbeiter	Staberock	
	Art. Nr.		
CAD Sys. MS-Visio			Seite 3 von 3